

Pond Pump eco-X2 13000



Artikel-No. 156 / 005003
EAN-Code 40 16881 00869-7

Technical Data
 Q max. 12.600 l/h | 210 l/min
 H max. 5,5 m
 Power consumption 140 watts
 Supply voltage 230 V / 50 Hz
 Cable 10 m
 Quality mark CE, TÜV GS
 Impeller Vortex
 Motor asynchronous
 Warranty 5 years (not including rotor unit, part subject to wear)



Material
 Pump plastic housing (moulded in synthetic resin)
 Splitting tube, screws stainless steel
 Bearing ceramic
 Cable H07 RN8-F

Dimensions
 Pump L x W x H (mm) 360 x 270 x 180
 Board L x W x H (mm) 390 x 290 x 210
 Pumps per pallet 64
 Connection G 1½" - E

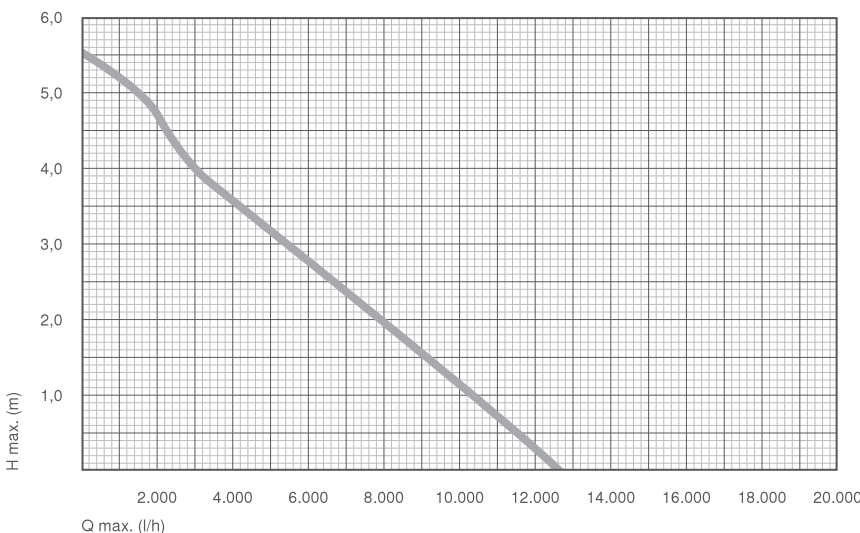
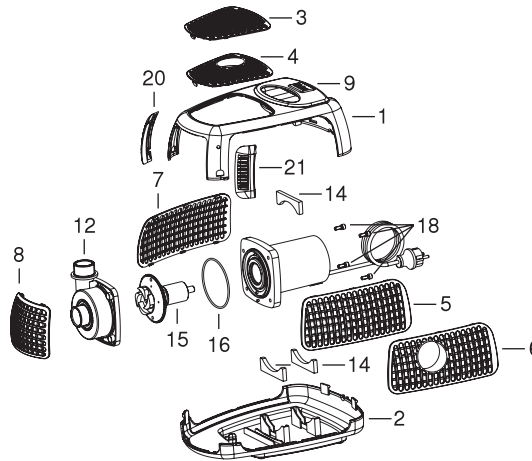
Scope of delivery

- Hose Nozzle G 1½" - I – Ø 40/50 **Art.-No. 168 / 002858**
- large variable filter housing

Accessories optional

- Speed Governor DS 350 **Art.-No. 168 / 002974** – for stepless adjustment of pump capacity
- Decalcifier for Pumps **Art.-No. 168 / 009115** – Decalcifying detergent for pumps, fittings and underwater floodlights

Spare parts	Art.-No.	
1	104 / 004317	1 x
2	104 / 004318	1 x
3	104 / 003441	1 x
4	104 / 003450	1 x
5	104 / 003442	1 x
6	104 / 003447	1 x
7	104 / 003443	1 x
8	104 / 003440	1 x
9	104 / 003444	1 x
12	104 / 003280	1 x
14	104 / 003452	3 x
15	168 / 009159	1 x
16	112 / 000030	1 x
18	114 / 000048	4 x
20	104 / 004270	1 x
21	104 / 004269	1 x



H (m)	Q (l/h)
0	12.600
1,0	10.000
2,0	7.800
3,0	5.500
4,0	3.000
5,0	1.600
5,5	0