

Pond Pump eco-X2 7500



Artikel-No. 156 / 005001
EAN-Code 40 16881 00867-3

Technical Data

Q max. 7.300 l/h | 122 l/min
H max. 4,0 m
Power consumption 75 watts
Supply voltage 230 V / 50 Hz
Cable 10 m
Quality mark CE, TÜV GS
Impeller Vortex
Motor asynchronous
Warranty 5 years (not including rotor unit, part subject to wear)



Material

Pump plastic housing (moulded in synthetic resin)
Splitting tube, screws stainless steel
Bearing ceramic
Cable H07 RN8-F

Dimensions

Pump L x W x H (mm) 360 x 270 x 180
Board L x W x H (mm) 390 x 290 x 210
Pumps per pallet 64
Connection G 1¼" - E

Scope of delivery

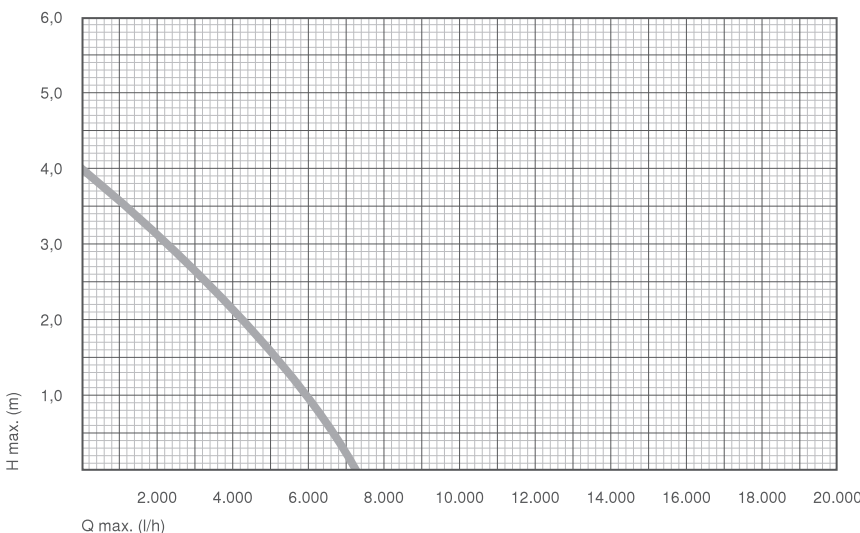
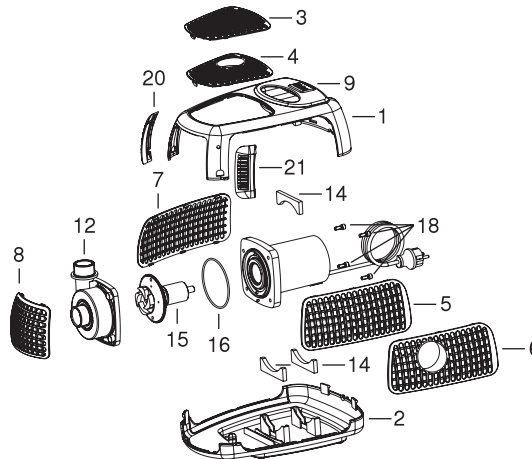
- Hose Nozzle G 1¼" - I – Ø 32/40 **Art.-No. 168 / 002857**
- large variable filter housing

Accessories optional

- Speed Governor DS 350 **Art.-No. 168 / 002974** – for stepless adjustment of pump capacity
- Decalcifier for Pumps **Art.-No. 168 / 009115** – Decalcifying detergent for pumps, fittings and underwater floodlights

Spare parts

	Art.-No.	
1	104 / 004317	1 x
2	104 / 004318	1 x
3	104 / 003441	1 x
4	104 / 003451	1 x
5	104 / 003442	1 x
6	104 / 003448	1 x
7	104 / 003443	1 x
8	104 / 003440	1 x
9	104 / 003444	1 x
12	104 / 003279	1 x
14	104 / 003452	3 x
15	168 / 009157	1 x
16	112 / 000030	1 x
18	114 / 000048	4 x
20	104 / 004270	1 x
21	104 / 004269	1 x



H (m)	Q (l/h)
0	7.300
1,0	6.000
2,0	4.400
3,0	2.400
4,0	0