

# Pond Pump system-X 1000



**Article-No.** 156 / 001376  
**EAN-Code** 40 16881 00814-7

**Technical Data**

Q max. 1.100 l/h | 18 l/min  
H max. 1,5 m  
Power consumption 18 watts  
Supply voltage 230 V / 50 Hz  
Cable 10 m  
Quality mark CE, Nemko GS  
Impeller Vortex  
Motor synchronous  
Warranty 3 years (not including rotor unit, part subject to wear)



**Material**

Pump plastic housing (moulded in synthetic resin)  
Splitting tube plastic  
Bearing ceramic  
Cable H05 RN-F

**Dimensions**

Pump L x W x H (mm) 165 x 140 x 105  
Board L x W x H (mm) 245 x 190 x 210  
Pumps per pallet 144  
Connection G 1/2" - I

**Scope of delivery**

· Volcano Jet 2-Tiered · Bell Jet · Adapter G 1/2" - E - Ø 20 mm · Hose Nozzle G 1/2" - I - Ø 13-14/19-20/25 · Double Nipple G 1/2" - E

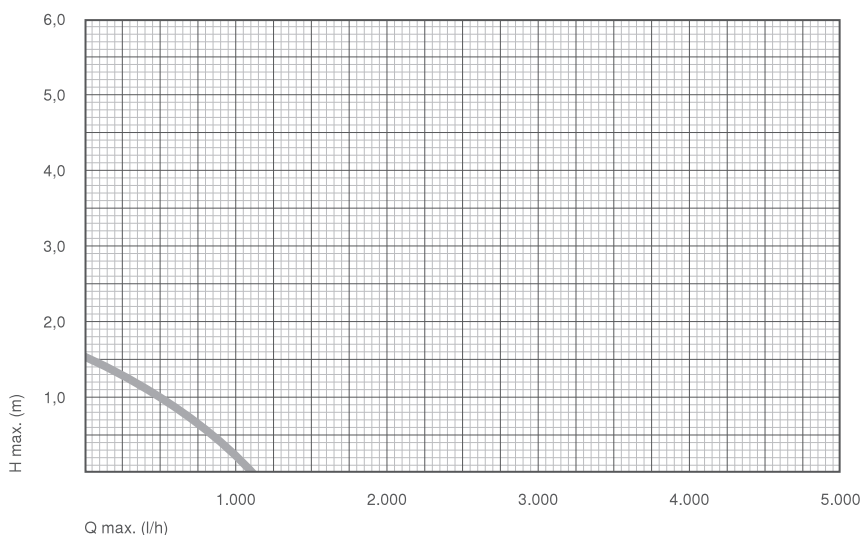
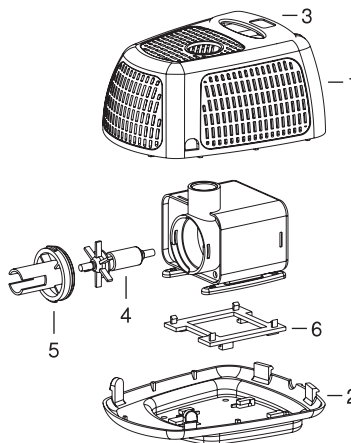
**Accessories optional**

· Decalcifier for Pumps **Art.-No. 168 / 009115** – Decalcifying detergent for pumps, fittings and underwater floodlights

**Spare parts**

**Art.-No.**

1	104 / 003661	1 x
2	104 / 003662	1 x
3	104 / 003663	1 x
4	168 / 009092	1 x
5	168 / 009150	1 x
6	104 / 003834	1 x



H (m)	Q (l/h)
0	1.100
0,4	950
0,8	570
1,2	360
1,3	240
1,5	0