

# Pond Pump system-X 750



**Article-No.** 156 / 001375  
**EAN-Code** 40 16881 00813-0

**Technical Data**

Q max. 800 l/h | 13 l/min  
H max. 1,3 m  
Power consumption 15 watts  
Supply voltage 230 V / 50 Hz  
Cable 10 m  
Quality mark CE, Nemko GS  
Impeller Vortex  
Motor synchronous  
Warranty 3 years (not including rotor unit, part subject to wear)



**Material**

Pump plastic housing (moulded in synthetic resin)  
Splitting tube plastic  
Bearing ceramic  
Cable H05 RN-F

**Dimensions**

Pump L x W x H (mm) 165 x 140 x 105  
Board L x W x H (mm) 245 x 190 x 210  
Pumps per pallet 144  
Connection G 1/2" - I

**Scope of delivery**

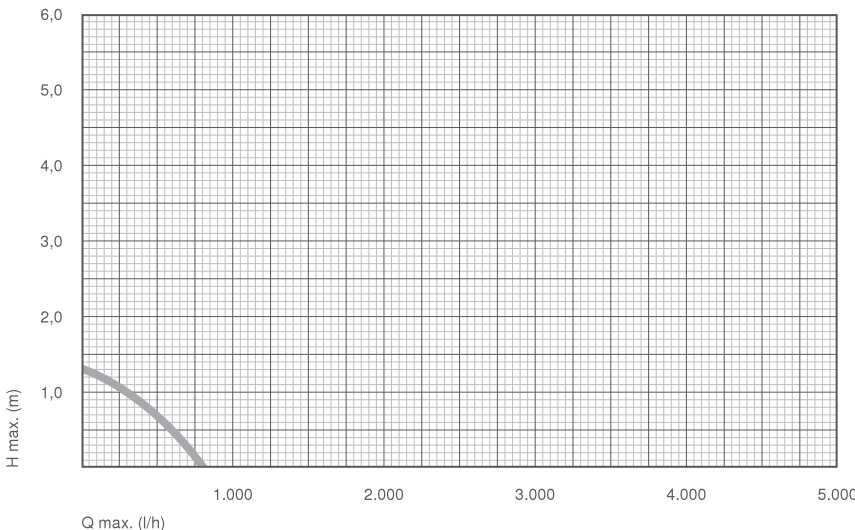
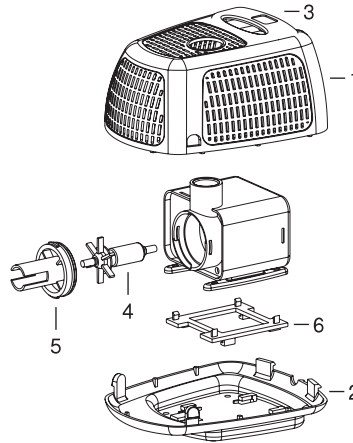
· Volcano Jet 2-Tiered · Bell Jet · Adapter G 1/2" - E - Ø 20 mm · Hose Nozzle G 1/2" - I - Ø 13-14/19-20/25 · Double Nipple G 1/2" - E

**Accessories optional**

· Decalcifier for Pumps **Art.-No. 168 / 009115** – Decalcifying detergent for pumps, fittings and underwater floodlights

**Spare parts**

Art.-No.		
104 / 003661	1 x	
104 / 003662	1 x	
104 / 003663	1 x	
168 / 009071	1 x	
168 / 009150	1 x	
104 / 003834	1 x	



H (m)	Q (l/h)
0	800
0,4	680
0,8	430
1,2	140
1,3	0