

Pond Pump system-X 4500



Article-No. 156 / 001374
EAN-Code 40 16881 00784-3

Technical Data

Q max. 4.200 l/h | 70 l/min
H max. 3,2 m
Power consumption 85 watts
Supply voltage 230 V / 50 Hz
Cable 10 m
Quality mark CE, Nemko GS
Impeller Vortex
Motor synchronous
Warranty 3 years (not including rotor unit, part subject to wear)



Material

Pump plastic housing (moulded in synthetic resin)
Splitting tube plastic
Bearing ceramic
Cable H05 RN-F

Dimensions

Pump L x W x H (mm) 205 x 165 x 130
Board L x W x H (mm) 245 x 190 x 210
Pumps per pallet 144
Connection G 3/4" - E

Scope of delivery

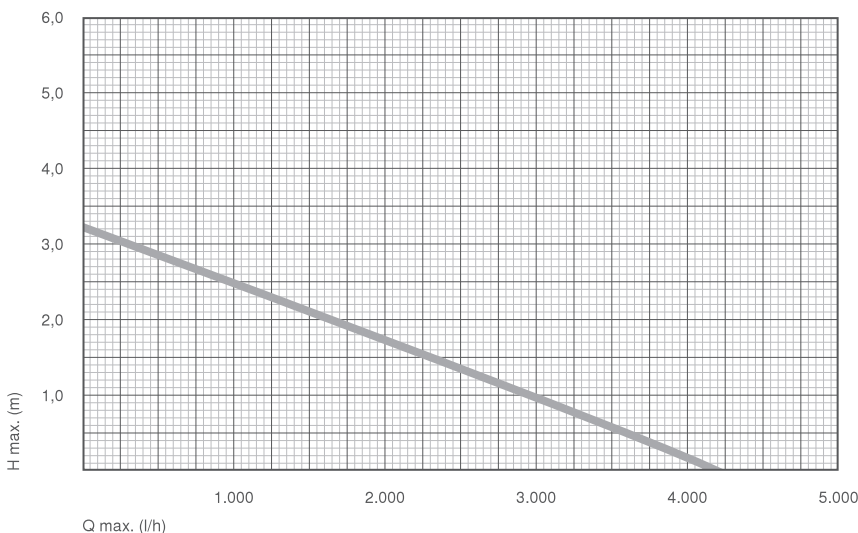
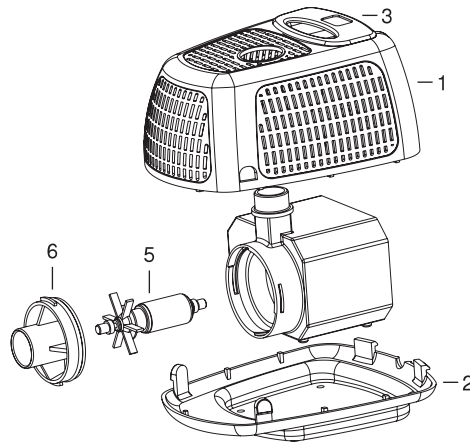
- Volcano Jet 2-Tiered · Bell Jet · Ring Jet · Extension G 1/2" - E · Hose Nozzle G 3/4" - I - Ø 19-20/25/32
- Hose Nozzle G 3/4" - E - Ø 20/25 · Height Adjuster G 3/4" - I · Intake Hose Nozzle Ø 32

Accessories optional

- Decalcifier for Pumps **Art.-No. 168 / 009115** – Decalcifying detergent for pumps, fittings and underwater floodlights

Spare parts

Art.-No.		
104 / 003668	1 x	
104 / 003669	1 x	
104 / 003670	1 x	
168 / 009113	1 x	
168 / 009110	1 x	



H (m)	Q (l/h)
0	4.200
1,0	3.000
2,0	1.620
3,0	320
3,2	0